

CONSULTANCY:

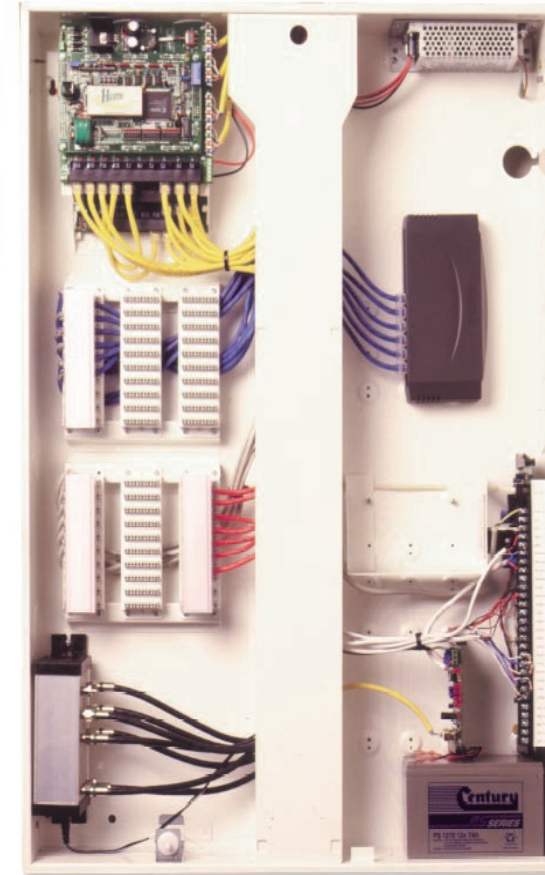
We provide consultancy services to developers, builders and home owners for smart home wiring requirements.

SALES:

We supply and maintain all of the hardware required to support your design. We also supply add-on modules to upgrade your system when your budget permits.

SUPPORT

We guarantee all of our installers work and are only a phone call away should you have any queries.



FAQ'S

What is Smart Wiring?

Smart Wiring is an industry wiring standard that once installed allows you to access multiple Telephone, Internet, IPTV, & PAY-TV options, as well as security, audio, lighting, home automation and garden irrigation features.

Do I have to buy the whole system or can I buy it in segments?

You can have as much or as little Smart Wiring as your budget and lifestyle permit. To make your choice easier, we have developed standard packages, but of course you can tailor it any way you want.

How much does it cost?

Smart Wiring packages start at around \$3000, but a number of factors will affect the cost, including the number of rooms that are connected and the type of hardware that you choose to start off with.

Should I get it done when I build the house?

The cost of Smart Wiring your home during construction is far less than retro-wiring an existing home.

What if I want to do it later?

You can Smart Wire an existing home, but the cost far exceeds pre-wiring a home during construction.

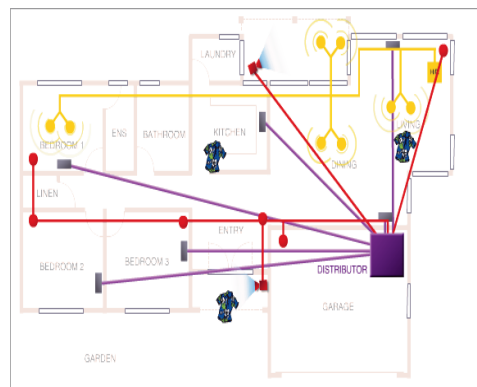
I am doing renovations - is this a good time to do it?

Yes. Smart Wiring during renovations is the next best thing to Smart Wiring during construction.

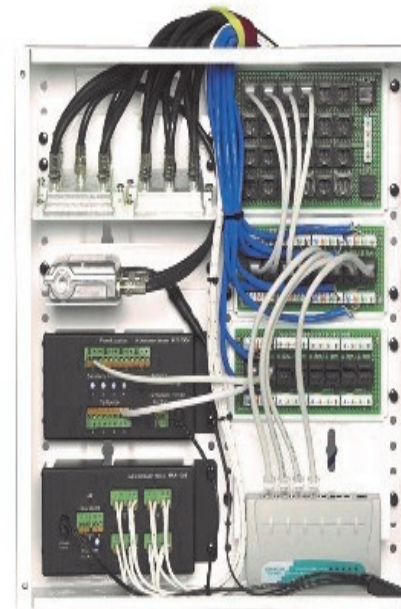
Structured Cabling

THE HEART OF A SMART WIRING INSTALLATION

The basis of a Smart Wired house is a structured cabling system, in which all the video, phone and data wiring radiates from a single cupboard. This makes it simple to interface systems with each other and to reconfigure elements. Add a phone line to a room simply by patching the phone system to the data cable system, which already has outlets in every room. Watch a DVD or Pay TV in any room of the house. Security systems are easily integrated into the Smart Wiring with the ability to monitor who is at the front door with CCTV displayed on a channel on each TV. Many Smart Wired home installations now also feature multi-room audio which can be controlled into separate zones throughout the home. The structured cabling at the heart of your premise will future proof your investment for many years to come. From a simple start it can develop into a fully automated home, now or in the future when your situation allows it.



SphereComms provide structured wiring and Smart cabling services for whole-of-house residential and commercial buildings. Home Theatre fit-outs are also available with Cat5e, Cat6 & Coax for media distribution around your home. Free to Air, Telephony, Pay TV & Satellite services including Broadband Internet can easily be cabled out by SphereComms to your specifications. Our installers are all ACMA licenced and Smart Wired ® Accredited Designers & Installers.



Following the installation, our team will provide training to show you how to use the installed system to make any necessary changes that you may need to perform in the future.



CUSTOM SOLUTIONS

[SphereComms](#) offers custom designed and managed solutions for all of your Smart Wired requirements



WEB INFO

Please take a look at the following link for more detailed information on Smart Wiring your home:
www.smartwiredhouse.com.au



EMAIL LINK

[SphereComms](#) are contactable for any queries you may have right now on smartwired@spherecomms.com.au